

Professional design and manufacturing-Greatch Roots Blower



GREATECH ROOTS BLOWER & VACUUM PUMP



Grand Cibubur Country RFP 3 No 1
Jl. Letda Nasir, Cikeas, Gunung Putri
Bogor 16966

(021) 80471233

info@aquamart-indonesia.co.id

www.aquamart-indonesia.co.id



PT. Aquamart Indonesia Ritel

GREAT DESIGN

TECHNICAL INNOVATION

**ENERGY CONSERVATION & HIGH EFFICIENCY
- GREATECH ROOTS BLOWER**

G/GV Model

Performance

Bore Size: 25mm~400mm(1"~16")
 Capacity: 0.1~280 m³/min(6~16800 m³/min)
 Pressure: Single Section:0~10000 mmAq
 Two Section:10000~20000 mmAq
 As vacuum purpose: up to -5000 mmAq

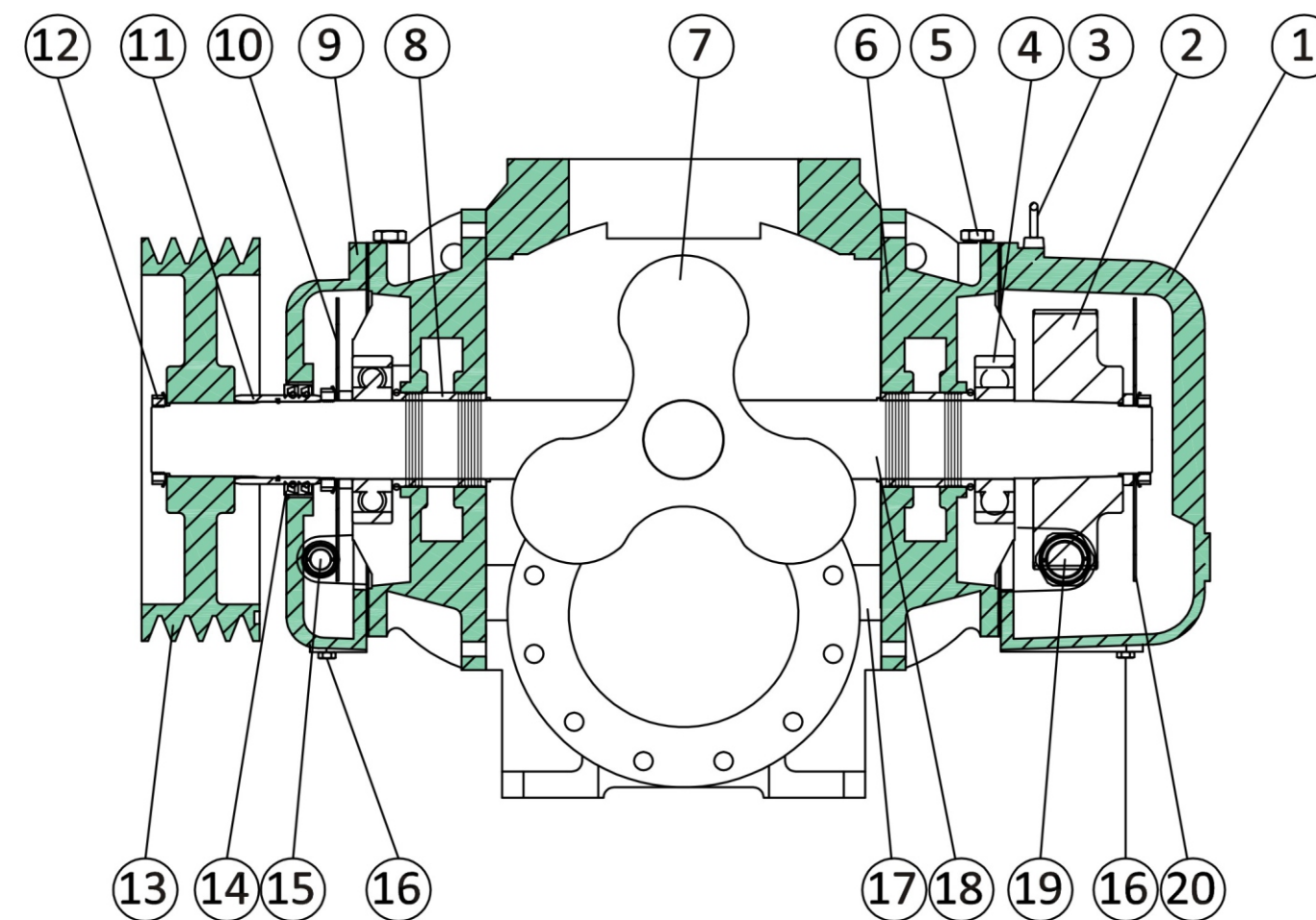
Advantage

Tri-Lobe Roots Blower
 Energy Conservation, Low Noise
 Stable Air Flow, Low Vibration
 Strong Construction, Long Operating Life
 Cleaner air, Oil free conveying.

Application

Waste Water Treatment, Aquaculture,
 Electroplating Industry, Powder Conveyance,
 Grain Conveyance, Paper Production,
 Food Industry, Semiconductor Industry,
 Chemical Industry...etc.

Construction & Material List

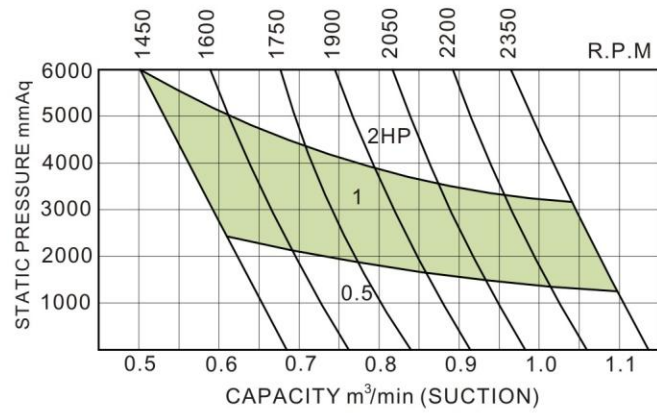


No.	Item	Material	No.	Item	Material
1	Gear box	FC250	11	Sleve	S45C
2	Gear	SCM415	12	Screw nut	SS400
3	Eye bolt	S45C	13	Pulley	FC250
4	Bearing	SUJ2	14	Oil seal	NBR
5	Oil plug	S45C	15	Oil gauge	S45C
6	Side cover	FC250	16	Oil drainer	S45C
7	Impeller	FC250	17	Cylinder	FC250
8	Shaft seal	S45C	18	Shaft	SCM440
9	Oil box	FC250	19	Oil gauge	S45C
10	Oil splash	SS400	20	Oil splash	SS400

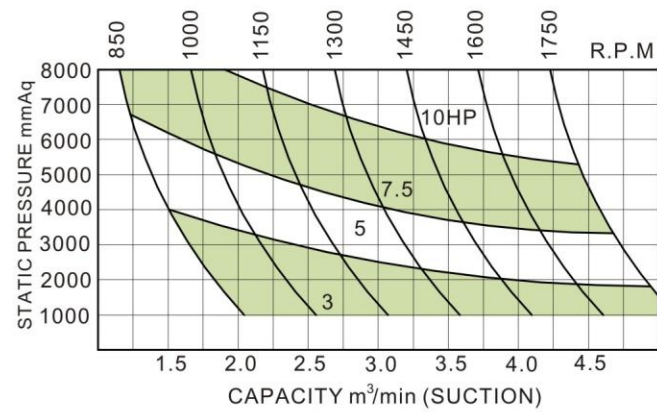
Pressure Conveyance Type Performance Curve

Suction Air & Discharge Pressure

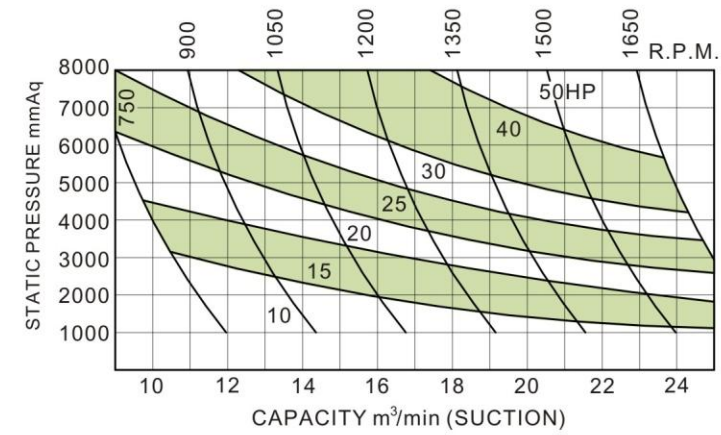
G40



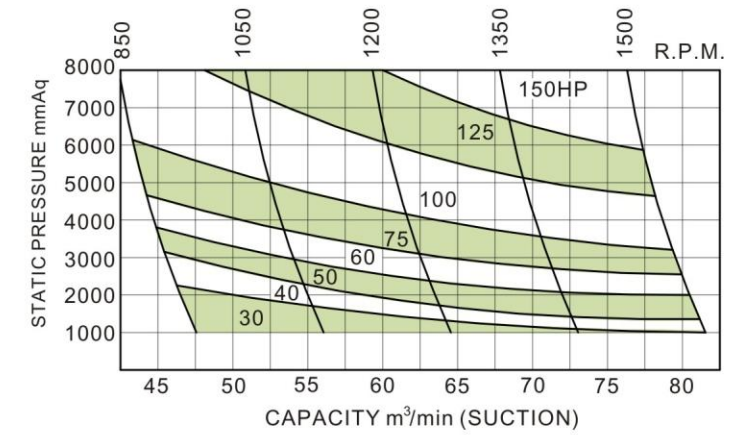
G65



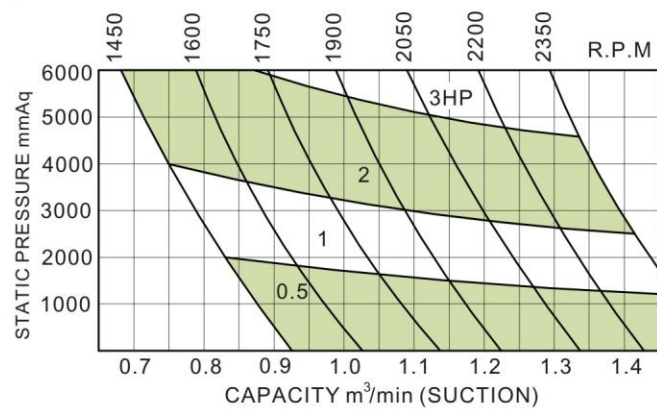
G125



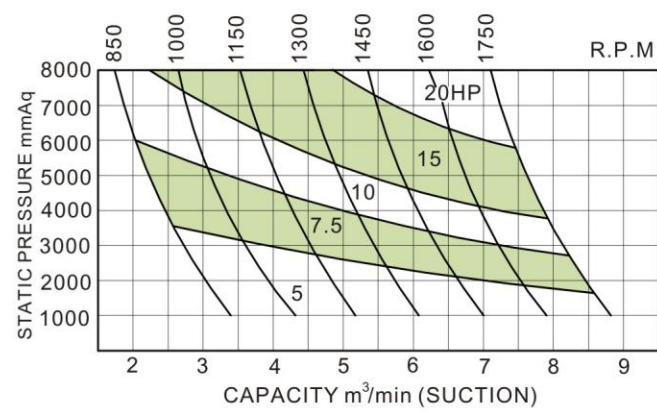
G250



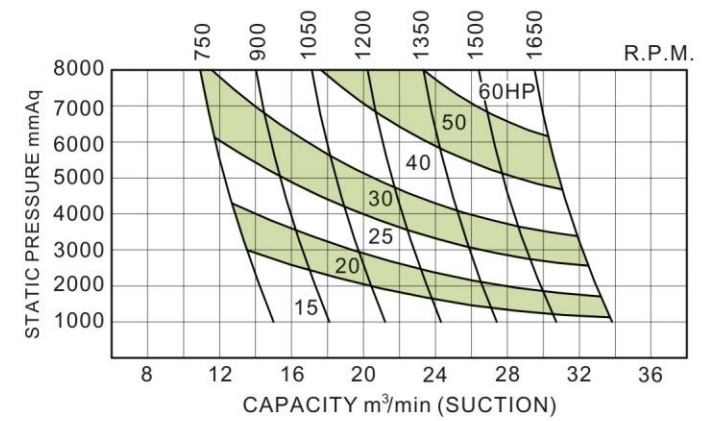
GL40



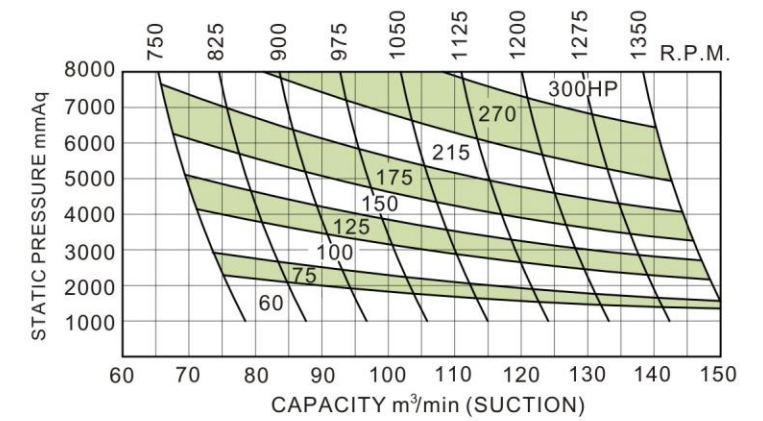
G80



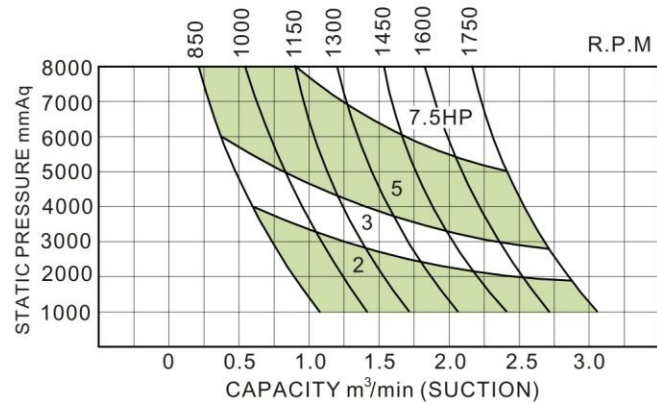
G150



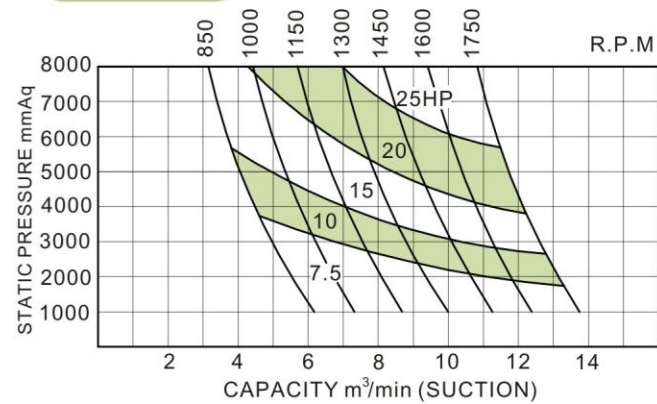
G300



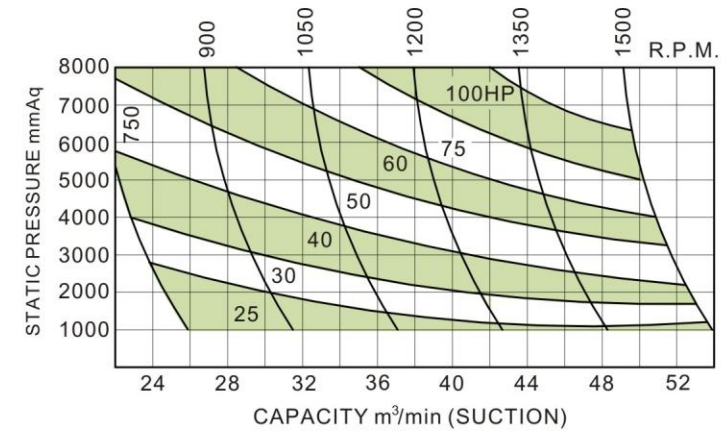
G50



G100



G200



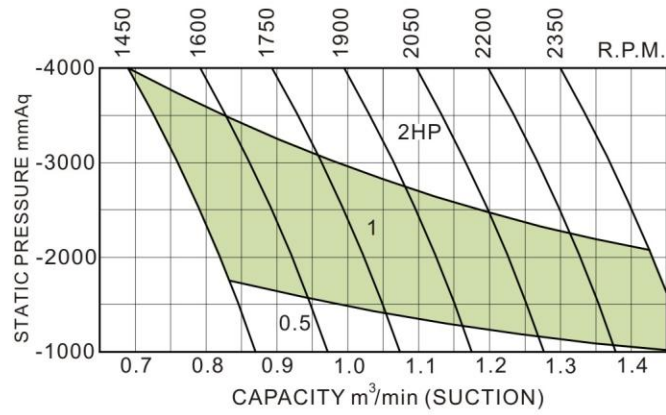
G350-G400 Data Sheet will be provided upon receiving inquiry G350-G400



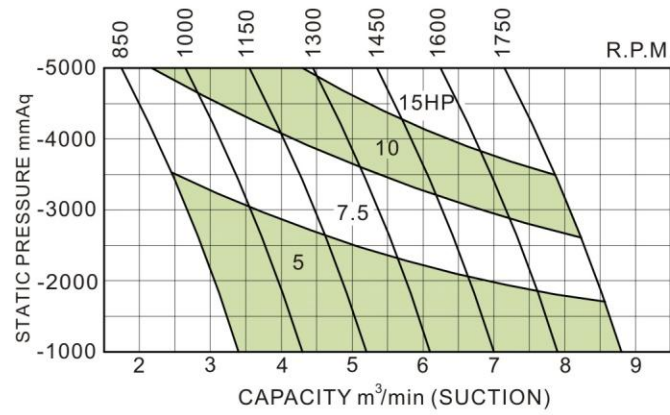
Vacuum Type Performance Curve

Suction Air & Inlet Pressure

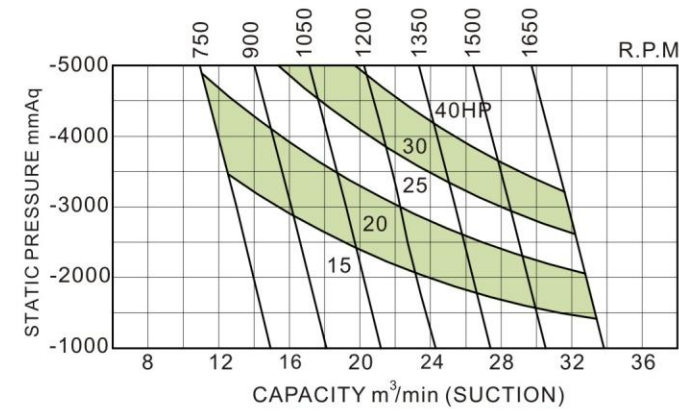
GL40V



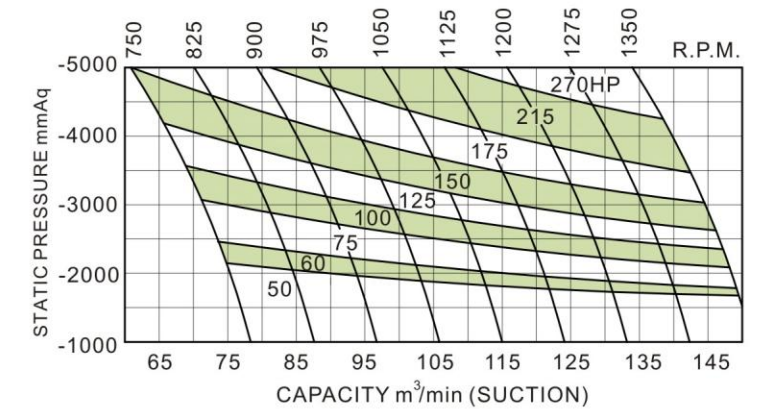
G80V



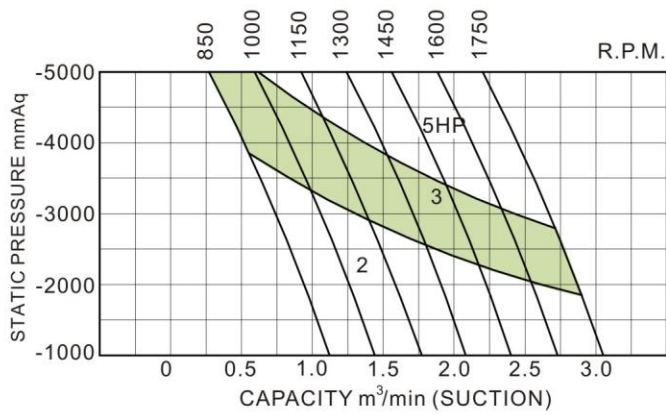
G150V



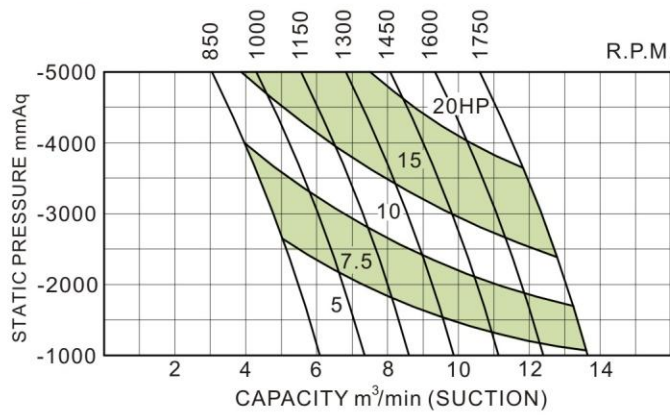
G300V



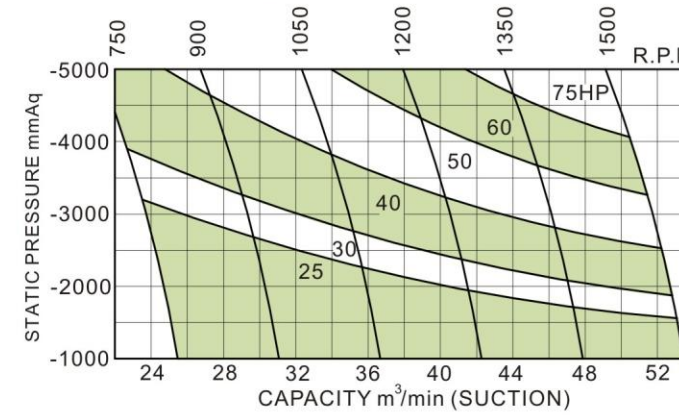
G50V



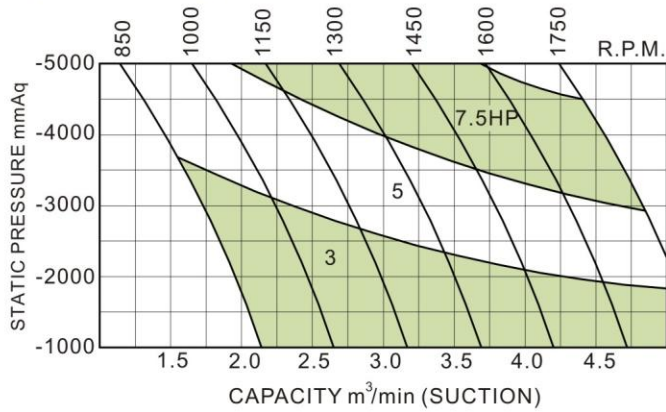
G100V



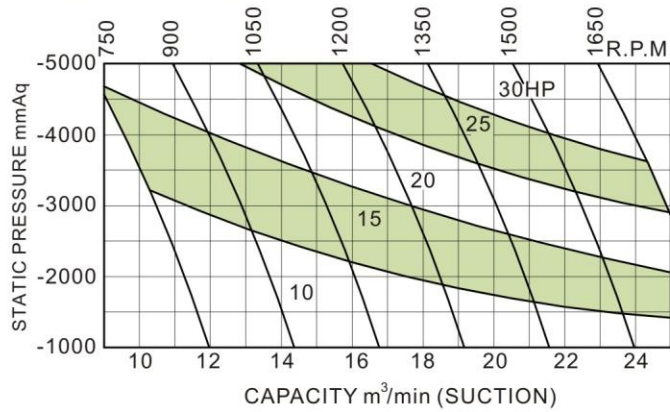
G200V



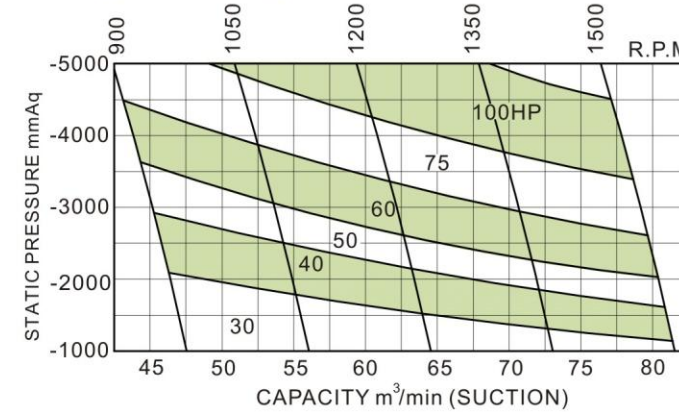
G65V



G125V



G250V



G350V-G400V Data Sheet will be provided upon receiving inquiry
G350V-G400V



Pressure Conveyance Type Performance Table

Suction Air & Discharge Pressure

Model	RPM	Pressure(mmAq)				Capacity(m ³ /min)								Power(kW)			
		1000mmAq		2000mmAq		3000mmAq		4000mmAq		5000mmAq		6000mmAq		7000mmAq		8000mmAq	
		m ³ /min	kW	m ³ /min	kW	m ³ /min	kW	m ³ /min	kW	m ³ /min	kW	m ³ /min	kW	m ³ /min	kW	m ³ /min	kW
G40	1450	0.65	0.17	0.62	0.32	0.59	0.47	0.56	0.57	0.53	0.69	0.52	0.81				
	1600	0.74	0.18	0.68	0.36	0.65	0.52	0.63	0.63	0.61	0.76	0.59	0.89				
	1750	0.81	0.20	0.76	0.39	0.74	0.57	0.71	0.69	0.69	0.83	0.67	0.98				
	1900	0.89	0.22	0.85	0.42	0.81	0.62	0.79	0.75	0.76	0.91	0.76	1.06				
	2050	0.95	0.24	0.91	0.46	0.89	0.66	0.86	0.81	0.83	0.98	0.82	1.14				
	2200	1.03	0.25	1.00	0.49	0.97	0.71	0.94	0.87	0.92	1.02	0.90	1.23				
	2350	1.12	0.27	1.07	0.52	1.04	0.76	1.02	0.93	1.00	1.12	0.97	1.31				
GL40	1450	0.87	0.22	0.83	0.43	0.78	0.63	0.74	0.76	0.70	0.92	0.69	1.08				
	1600	0.98	0.24	0.91	0.47	0.87	0.69	0.83	0.84	0.81	1.02	0.79	1.19				
	1750	1.08	0.27	1.01	0.52	0.98	0.76	0.95	0.92	0.92	1.11	0.89	1.30				
	1900	1.19	0.29	1.13	0.56	1.08	0.82	1.06	1.00	1.02	1.21	1.01	1.41				
	2050	1.27	0.31	1.21	0.61	1.19	0.89	1.14	1.08	1.11	1.30	1.09	1.53				
	2200	1.38	0.34	1.34	0.65	1.29	0.95	1.25	1.16	1.23	1.40	1.20	1.64				
	2350	1.49	0.36	1.43	0.70	1.39	1.02	1.36	1.24	1.34	1.49	1.30	1.75				
G50	850	1.08	0.42	0.87	0.81	0.70	1.18	0.55	1.53	0.42	1.85	0.32	2.17	0.23	2.47	0.16	2.76
	1000	1.42	0.49	1.21	0.95	1.05	1.39	0.90	1.80	0.77	2.18	0.66	2.55	0.58	2.91	0.51	3.25
	1150	1.79	0.57	1.56	1.10	1.39	1.60	1.25	2.07	1.11	2.51	1.02	2.93	0.93	3.34	0.86	3.74
	1300	2.13	0.64	1.93	1.24	1.76	1.81	1.60	2.34	1.47	2.83	1.36	3.32	1.29	3.78	1.23	4.22
	1450	2.47	0.71	2.27	1.38	2.10	2.02	1.95	2.62	1.82	3.16	1.72	3.70	1.63	4.22	1.58	4.71
	1600	2.84	0.79	2.61	1.53	2.46	2.22	2.30	2.89	2.17	3.49	2.08	4.08	1.99	4.65	1.92	5.20
	1750	3.17	0.86	2.96	1.67	2.80	2.43	2.65	3.16	2.52	3.81	2.43	4.46	2.33	5.09	2.27	5.69
G65	850	2.11	0.63	1.90	1.22	1.73	1.77	1.57	2.30	1.43	2.80	1.36	3.28	1.23	3.74	1.11	4.14
	1000	2.63	0.74	2.40	1.43	2.29	2.09	2.10	2.71	1.94	3.30	1.80	3.86	1.73	4.40	1.61	4.87
	1150	3.18	0.85	2.95	1.65	2.75	2.40	2.60	3.11	2.45	3.79	2.33	4.44	2.24	5.06	2.13	5.61
	1300	3.77	0.96	3.53	1.86	3.31	2.71	3.12	3.52	2.96	4.28	2.82	5.02	2.73	5.72	2.63	6.34
	1450	4.38	1.07	4.13	2.08	3.91	3.02	3.72	3.92	3.55	4.78	3.39	5.59	3.28	6.38	3.17	7.07
	1600	5.00	1.18	4.75	2.29	4.53	3.34	4.33	4.33	4.15	5.27	4.00	6.17	3.86	7.04	3.74	7.80
	1750	5.64	1.29	5.39	2.51	5.16	3.65	4.95	4.73	4.77	5.77	4.61	6.75	4.47	7.70	4.35	8.53
G80	850	3.25	1.13	2.91	2.13	2.60	3.06	2.33	3.86	2.09	4.71	1.88	5.47	1.70	6.15	1.53	6.79
	1000	4.04	1.34	3.69	2.50	3.38	3.60	3.10	4.55	2.86	5.54	2.65	6.43	2.46	7.24	2.29	7.99
	1150	4.90	1.52	4.53	2.88	4.22	4.14	3.93	5.23	3.68	6.37	3.46	7.40	3.27	8.33	3.10	9.19
	1300	5.80	1.72	5.43	3.25	5.10	4.68	4.80	5.91	4.55	7.20	4.32	8.36	4.12	9.41	3.94	10.39
	1450	6.73	1.91	6.36	3.63	6.02	5.22	5.72	6.59	5.46	8.03	5.22	9.33	5.02	10.50	4.83	11.59
	1600	7.70	2.11	7.31	4.00	6.97	5.76	6.66	7.27	6.39	8.86	6.15	10.29	5.94	11.59	5.75	12.79
	1750	8.68	2.31	8.29	4.38	7.94	6.30	7.62	7.96	7.35	9.69	7.10	11.25	6.89	12.67	6.70	13.99
G100	850	5.97	1.59	5.34	3.09	4.78	4.34	4.28	5.41	3.85	6.59	3.46	7.65	3.11	8.65	2.81	9.53
	1000	7.11	1.88	6.49	3.64	5.94	5.10	5.45	6.36	5.03	7.75	4.65	9.00	4.31	10.18	4.02	11.21
	1150	8.37	2.16	7.75	4.18	7.21	5.87	6.72	7.32	6.29	8.91	5.92	10.35	5.59	11.71	5.29	12.89
	1300	9.64	2.44	9.02	4.73	8.48	6.63	7.98	8.27	7.57	10.08	7.18	11.70	6.85	13.23	6.56	14.57
	1450	10.94	2.72	10.33	5.27	9.78	7.40	9.29	9.23	8.86	11.24	8.48	13.06	8.15	14.76	7.85	16.25
	1600	12.21	3.00	11.60	5.82	11.05	8.16	10.56	10.18	10.13	12.40	9.75	14.41	9.41	16.29	9.12	17.93
	1750	13.43	3.28	12.82	6.36	12.28	8.93	11.79	11.14	11.37	13.57	10.98	15.76	10.65	17.81	10.36	19.62

Model	RPM	Pressure(mmAq)				Capacity(m ³ /min)								Power(kW)			
		1000mmAq		2000mmAq		3000mmAq		4000mmAq		5000mmAq		6000mmAq		7000mmAq		8000mmAq	
		m ³ /min	kW	m ³ /min	kW	m ³ /min	kW	m ³ /min	kW	m ³ /min	kW	m ³ /min	kW	m ³ /min	kW	m ³ /min	kW
G125	750	11.86	3.02	11.30	5.85	10.76	8.19	10.25	10.63	9.76	12.42	9.29	14.55	8.85	16.58	8.43	17.99
	900	14.17	3.55	13.56	6.88	12.97	9.64	12.41	12.50	11.88	14.62	11.37	17.11	10.88	19.50	10.41	21.16
	1050	16.54	4.08	15.90	7.91	15.29	11.08	14.70	14.38	14.13	16.81	13.59	19.68	13.07	22.43	12.57	24.34
	1200	18.97	4.61	18.33	8.94	17.71	12.53	17.11	16.25	16.53	19.00	15.97	22.25	15.43	25.36	14.91	27.51
	1350	21.48	5.14	20.85	9.97	20.25	13.97	19.66	18.13	19.08	21.20	18.53	24.82	17.99	28.28	17.46	30.69
	1500	24.06	5.68	23.47	11.01	22.90	15.42	22.34	20.00	21.79	23.39	21.26	27.38	20.74	31.21	20.24	33.86
	1650	26.71	6.21	26.18	12.04	25.67	16.86	25.17	21.88	24.67	25.58	24.19	29.95	23.71	34.13	23.25	37.03
G150	750	15.58	3.87	14.99	7.50	14.41	10.50	13.85	13.62	13.32	15.93	12.81	18.65	12.32	21.25	11.84	23.06
	900	18.52	4.55	17.89	8.82	17.29	12.35	16.70	16.03	16.14	18.74	15.59	21.94	15.06	25.01	14.56	27.13
	1050	21.51	5.23	20.88	10.14	20.27	14.21	19.68	18.43	19.11	21.55	18.55	25.23	18.01	28.76	17.49	31.20
	1200	24.56	5.91	23.96	11.46	23.37	16.06	22.80	20.84	22.25	24.36	21.71	28.52	21.18	32.51	20.66	35.27
	1350	27.66	6.60	27.12	12.79	26.59	17.91	26.07	23.24	25.56	27.17	25.06	31.82	24.57	36.26	24.08	39.34
	1500	30.83	7.28	30.38	14.11	29.93	19.77	29.49	25.64	29.05	29.98	28.62	35.11	28.20	40.01	27.78	43.41
	1650	34.06	7.96	33.72	15.43	33.39	21.62	33.06	28.05	32.73	32.80	32.41	38.40	32.09	43.76	31.77	47.48
G200	600	19.03	5.05	17.92	9.72	16.94	13.91	16.03	17.83	15.56	21.43	14.88	24.78	14.26	27.89	13.71	30.80
	750	25.22	6.31	24.02	12.15	23.32	17.39	22.42	22.29	21.64	26.79	20.97	30.98	20.36	34.86	19.86	38.50
	900	30.87	7.57	29.71	14.58	28.98	20.87	28.14	26.74	27.24	32.15	26.71	37.18	26.18	41.84	25.67	43.20
	1050	36.73	8.83	35.56	17.01	34.86	24.35	34.01	31.20	33.25	37.15	32.59	43.37	31.95	48.81	31.54	53.90
	1200	42.15	10.10	41.32	19.44	40.27	27.82	39.41	35.66	38.67	42.87	38.02	49.57	37.46	55.78	37.02	61.59
	1350	47.89	11.36	47.04	21.87	46.03	31.30	45.22	40.12	44.55	48.23	44.06	55.77	43.54	62.75	43.07	69.29
	1500	53.21	12.62	52.68	24.30	52.16	34.78	51.49	44.57	50.83	53.59	50.22	61.96	49.53	69.73	49.03	76.99
G250	600	30.43	7.54	28.95	14.30	27.76	20.54	26.23	26.46	24.89	31.79	24.09	36.72	23.21	41.01	22.24	45.53
	750	38.93	9.42	37.61	17.87	36.56	25.68	35.19	33.08	34.00	39.74	33.29	45.90	32.51	51.27	31.65	56.92
	900	47.43	11.30	46.27	21.45	45.35	30.81	44.16	39.69	43.12	47.68	42.50	55.07	41.81	61.52	41.06	68.30
	1050	55.92	13.19	54.94	25.02	54.15	35.95	53.12	46.31	52.23	55.63	51.70	64.25	51.11	71.77	50.47	79.68
	1200	64.42	15.07	63.60	28.60	62.94	41.08	62.09	52.92	61.35	63.58	60.90	73.43	60.41	82.03	59.87	91.07
	1350	72.92	16.95	72.26	32.17	71.74	46.22	71.05	59.54	70.46	71.52	70.10	82.61	69.71	92.28	69.28	102.45
	1500	81.42	18.84	80.93	35.75	80.53	51.35	80.02	66.15	79.57	79.47	79.31	91.79	79.01	102.53	78.69	113.83
G300	750	78.50	18.20														

Vacuum Type Performance Table

Suction Air & Inlet Pressure

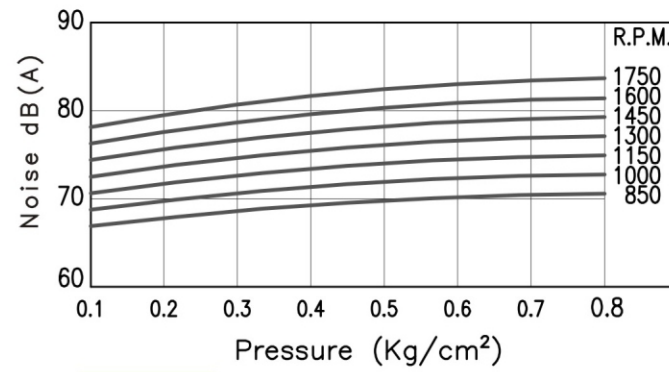
Model	RPM	Pressure(mmAq)				Capacity(m³/min)								Power(kW)			
		-1000mmAq		-2000mmAq		-2500mmAq		-3000mmAq		-3500mmAq		-4000mmAq		-4500mmAq		-5000mmAq	
		m³/min	kW	m³/min	kW	m³/min	kW	m³/min	kW	m³/min	kW	m³/min	kW	m³/min	kW	m³/min	kW
G40V	1450	0.87	0.22	0.82	0.43	0.78	0.53	0.76	0.60	0.71	0.68	0.69	0.76				
	1600	0.98	0.24	0.90	0.47	0.86	0.59	0.86	0.66	0.82	0.75	0.79	0.83				
	1750	1.08	0.27	1.00	0.52	0.98	0.64	0.98	0.72	0.93	0.82	0.89	0.91				
	1900	1.19	0.29	1.12	0.56	1.07	0.70	1.09	0.78	1.03	0.89	1.01	0.99				
	2050	1.27	0.31	1.20	0.61	1.18	0.75	1.18	0.84	1.12	0.96	1.09	1.07				
	2200	1.38	0.34	1.33	0.65	1.27	0.81	1.29	0.90	1.24	1.04	1.20	1.15				
	2350	1.40	0.36	1.42	0.70	1.38	0.86	1.40	0.96	1.35	1.11	1.30	1.22				
G50V	850	1.02	0.42	0.84	0.81	0.74	0.99	0.63	1.18	0.53	1.36	0.37	1.53	0.28	1.70	0.14	1.87
	1000	1.35	0.49	1.17	0.95	1.07	1.18	0.96	1.39	0.85	1.59	0.71	1.80	0.61	2.00	0.47	2.19
	1150	1.68	0.57	1.51	1.10	1.40	1.35	1.29	1.59	1.18	1.84	1.04	2.07	0.94	2.30	0.81	2.53
	1300	2.01	0.64	1.84	1.24	1.74	1.52	1.63	1.81	1.52	2.08	1.37	2.34	1.28	2.60	1.14	2.85
	1450	2.34	0.71	2.17	1.38	2.07	1.71	1.96	2.01	1.85	2.31	1.70	2.61	1.61	2.90	1.47	3.18
	1600	2.68	0.78	2.50	1.52	2.40	1.88	2.29	2.22	2.28	2.56	2.03	2.88	1.94	3.20	1.80	3.51
	1750	3.01	0.86	2.83	1.66	2.73	2.05	2.62	2.43	2.51	2.79	2.36	3.16	2.27	3.50	2.13	3.84
G65V	850	2.15	0.67	1.97	1.30	1.85	1.60	1.73	1.90	1.60	2.18	1.45	2.46	1.30	2.73	1.12	2.99
	1000	2.68	0.79	2.50	1.53	2.39	1.89	2.26	2.23	2.13	2.57	1.98	2.89	1.82	3.21	1.65	3.52
	1150	3.21	0.90	3.04	1.76	2.93	2.17	2.79	2.57	2.66	2.95	2.51	3.33	2.36	3.69	2.18	4.05
	1300	3.75	1.03	3.56	1.99	3.45	2.45	3.36	2.90	3.19	3.34	3.05	3.77	2.89	4.17	2.72	4.58
	1450	4.27	1.15	4.10	2.22	3.99	2.73	3.85	3.24	3.73	3.73	3.57	4.19	3.42	4.66	3.24	5.11
	1600	4.81	1.26	4.64	2.45	4.52	3.01	4.39	3.57	4.25	4.47	4.11	4.63	3.96	5.14	3.78	5.63
	1750	5.35	1.38	5.16	2.68	5.05	3.30	4.92	3.91	4.79	4.49	4.65	5.06	4.49	5.62	4.32	6.17
G80V	850	3.34	1.14	2.91	2.17	2.68	2.66	2.33	3.13	2.16	3.57	1.88	4.00	1.59	4.41	1.27	4.80
	1000	4.26	1.34	3.84	2.56	3.61	3.13	3.36	3.67	3.09	4.20	2.81	4.70	2.51	5.19	2.19	5.65
	1150	5.19	1.53	4.77	2.94	4.53	3.59	4.28	4.22	4.02	4.83	3.73	5.41	3.44	5.97	3.12	6.50
	1300	6.12	1.74	5.70	3.32	5.46	4.07	5.21	4.78	4.94	5.46	4.67	6.11	4.37	6.74	4.05	7.35
	1450	7.05	1.94	6.62	3.70	6.39	4.54	6.14	5.33	5.87	6.09	5.59	6.82	5.29	7.52	4.97	8.20
	1600	7.97	2.14	7.55	4.09	7.31	5.00	7.07	5.88	6.80	6.72	6.52	7.52	6.22	8.30	5.90	9.04
	1750	8.90	2.33	8.48	4.48	8.24	5.47	7.99	6.42	7.73	7.35	7.45	8.23	7.15	9.07	6.83	9.90
G100V	850	5.96	1.59	5.35	3.05	5.00	3.73	4.61	4.37	4.21	4.99	3.78	5.59	3.32	6.17	2.82	6.73
	1000	7.26	1.87	6.64	3.58	6.29	4.37	5.91	5.15	5.51	5.88	5.08	6.59	4.61	7.26	4.12	7.92
	1150	8.56	2.15	7.94	4.11	7.59	5.03	7.21	5.92	6.81	6.76	6.38	7.57	5.91	8.35	5.42	9.10
	1300	9.86	2.44	9.24	4.65	8.89	5.69	8.51	6.69	8.11	7.64	7.67	8.56	7.21	9.44	6.72	10.29
	1450	11.15	2.71	10.54	5.19	10.19	6.34	9.81	7.46	9.40	8.53	8.97	9.55	8.51	10.53	8.01	11.48
	1600	12.45	2.99	11.83	5.72	11.48	7.00	11.10	8.23	10.70	9.41	10.27	10.54	9.81	11.62	9.31	12.66
	1750	13.75	3.28	13.13	6.26	12.78	7.66	12.40	9.00	12.00	10.29	11.57	11.52	11.10	12.71	11.61	13.84
G125V	750	11.86	3.02	11.35	5.85	10.81	6.96	10.35	8.29	9.81	9.19	9.32	10.18	8.87	10.94	8.43	11.15
	900	14.17	3.55	13.62	6.88	13.04	8.19	12.54	9.75	11.94	10.82	11.40	11.98	10.90	12.87	10.41	13.12
	1050	16.54	4.08	15.98	7.91	15.36	9.42	14.85	11.21	14.20	12.44	13.63	13.78	13.09	14.80	12.57	15.09
	1200	18.97	4.61	18.42	8.94	17.80	10.65	17.28	12.68	16.62	14.06	16.02	15.57	15.46	16.73	14.91	17.06
	1350	21.48	5.14	20.96	9.97	20.35	11.88	19.85	14.14	19.18	15.68	18.58	17.37	18.02	18.67	17.46	19.03
	1500	24.06	5.68	23.59	11.01	23.01	13.11	22.56	15.60	21.90	17.31	21.33	19.17	20.79	20.60	20.24	20.99
	1650	26.71	6.21	26.31	12.04	25.80	14.33	25.42	17.06	24.80	18.93	24.26	20.97	23.76	22.53	23.25	22.96

Model	RPM	Pressure(mmAq)				Capacity(m³/min)								Power(kW)			
		-1000mmAq		-2000mmAq		-2500mmAq		-3000mmAq		-3500mmAq		-4000mmAq		-4500mmAq		-5000mmAq	
		m³/min	kW	m³/min	kW	m³/min	kW	m³/min	kW	m³/min	kW	m³/min	kW	m³/min	kW	m³/min	kW
G150V	750	13.72	3.39	12.93	6.49	12.50	7.94	12.04	9.33	11.54	10.66	11.00	11.94	10.43	13.16	9.84	14.35
	900	16.89	4.07	16.11	7.79	15.69	9.52	15.22	11.20	14.71	12.79	14.18	14.32	13.61	15.80	13.02	17.22
	1050	20.07	4.75	19.29	9.08	18.87	11.11	18.40	13.05	17.89	14.92	17.37	16.72	16.79	18.43	16.19	20.10
	1200	23.26	5.43	22.46	10.38	22.04	12.70	21.58	14.92	21.07	17.05	20.54	19.10	19.97	21.07	19.37	22.96
	1350	26.43	6.11	25.65	11.67	25.22	14.28	24.76	16.79	24.25	19.18	23.72	21.49	23.14	23.70	22.56	25.83
	1500	29.61	6.78	28.83	12.97	28.41	15.87	27.93	18.66	27.43	21.32	26.90	23.87	26.33	26.34	25.73	28.70
	1650	32.80	7.46	32.01	14.27	31.58	17.46	31.12	20.51	30.15	23.45	30.08	26.27	29.51	28.97	28.91	31.58
G200V	600	17.52	4.91	16.47	9.41	15.88	11.51	15.31	13.52	14.64	15.46	13.89	17.32	13.16	19.10	12.34	20.82
	750	23.36	6.14	22.31	11.75	21.72	14.38	21.15	16.90	20.48	19.33	19.73	21.64	19.00	23.87	18.18	26.02
	900	29.20	7.38	28.15	14.11	27.56	17.27	26.99	20.28	26.32	23.18	25.57	25.97	24.84	28.65	24.02	31.23
	1050	35.04	8.61	33.99	16.46	33.40	20.14	32.83	23.67	32.16	27.05	31.42	30.30	30.68	33.42	29.86	36.43
	1200	40.88	9.84	39.83	18.81	39.24	23.01	38.67	27.05	38.00	30.92	37.26	34.63	36.52	38.20	35.70	41.64
	1350	46.72	11.06	45.67	21.16	45.08	25.89	44.51	30.43	43.84	34.77	43.10	38.96	42.36	42.98	41.54	46.84
	1500	52.56	12.29	51.51	23.52	50.92	28.77	50.35	33.81	49.68	38.64	48.94	43.29	48.20	47.76	47.38	52.05
G250V	600	28.55	7.51	27.01	14.37	24.05	17.58	25.16	20.66	24.15	23.62	23.02	26.45	21.83	29.18	20.58	31.81
	750	37.47	9.39	35.93	17.97	35.03	21.97	34.08	25.82	33.07	29.52	31.94	33.07	30.76	36.48	29.50	39.76
	900	46.40	11.27	44.85	21.56	43.96	26.37	43.00	30.99	41.99	35.42	40.86	39.68	39.68	43.78	38.43	47.72
	1050	55.32	13.14	53.78	25.14	52.88	30.76	51.93	36.15	50.91	41.33	49.79	46.29	48.60	51.06	47.35	55.66
	1200	64.24	15.02	62.70	28.73	61.80	35.16	60.85	41.32	59.84	47.23	58.71	52.90	57.52	58.36	56.27	63.61
	1350	73.16	16.09	71.62	32.33	70.72	39.55	69.77	46.49	68.72	53.14	67.63	59.52	66.45	65.66	65.19	71.57
	1500	82.09	18.78	80.54	35.92	79.65	43.95	78.69	51.65	77.68	59.03	76.55	66.14	75.37	72.96	74.12	79.52
G300V	750	78.50	18.20	75.40	35.70	73.50	44.60	71.50	56.10	69.20	73.50	66.70	88.70	63.90	102.50	60.90	110.20
	825	87.60	20.00	84.40	39.30	82.60	49.10	80.60	61.70	78.30	80.80	75.60	97.60	72.60	112.70	69.30	121.30
	900	96.70	21.80	93.40	42.90	91.70	53.60	89.70	67.30	87.30	88.20	84.50	106.50	81.40	123.00	77.80	132.30
	975	105.80	23.60	102.40	46.50	100.80	58.00	98.80	72.90	96.40	95.50	93.50	115.40	90.10	133.20	86.20	143.30
	1050	114.90	25.50	111.40	50.00	109.90	62.50	107.80	78.50	105.40	102.90	102.40	124.20	98.80	143.50	94.70	154.30
	1125	124.00	27.30	120.40	53.60	118.90	67.00	116.90	84.10	114.40	110.20	111.30	133.10	107.50	153.70	103.10	165.30
	1200	133.00	29.10	129.50	57.												

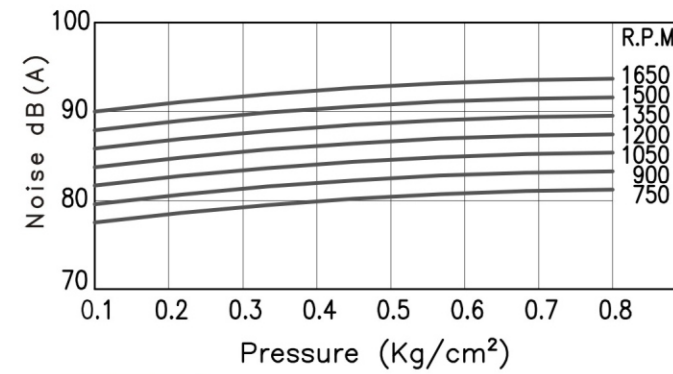
Noise Curve

Our noise level is measured at distance 1 meter from the blower and its attached silencer.

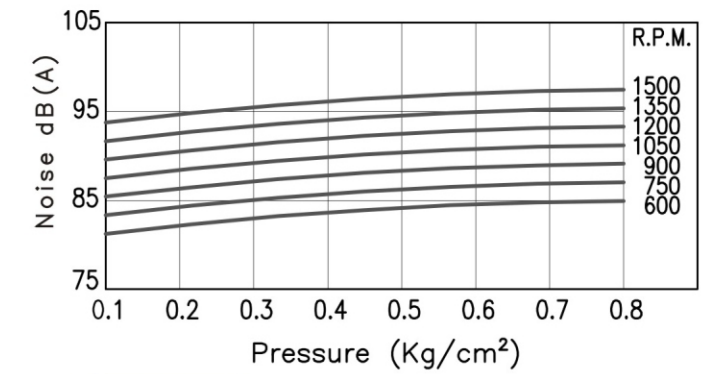
G65



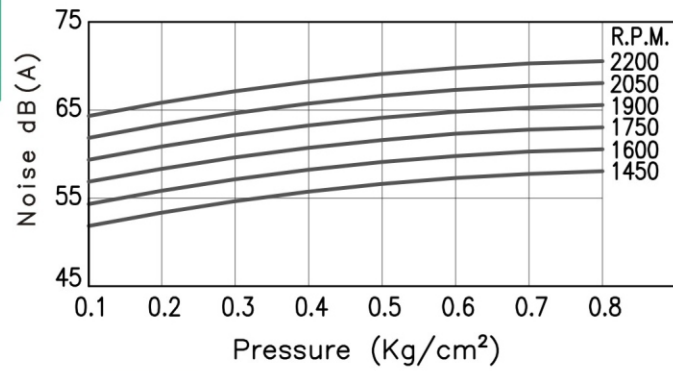
G150



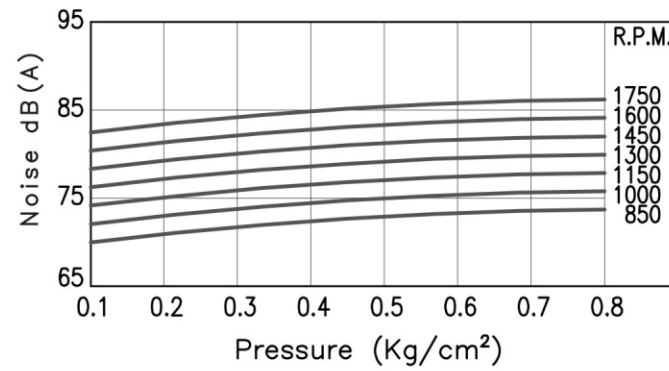
G250



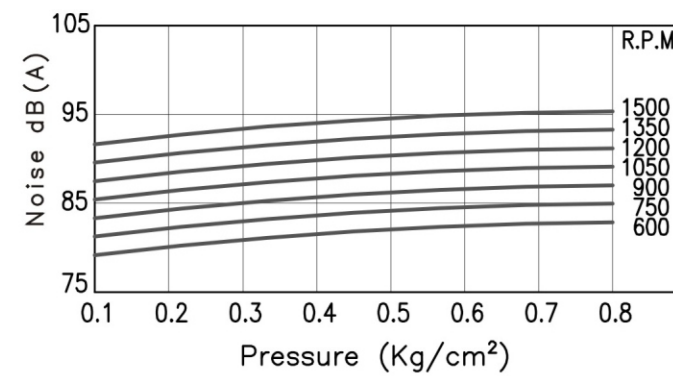
G40



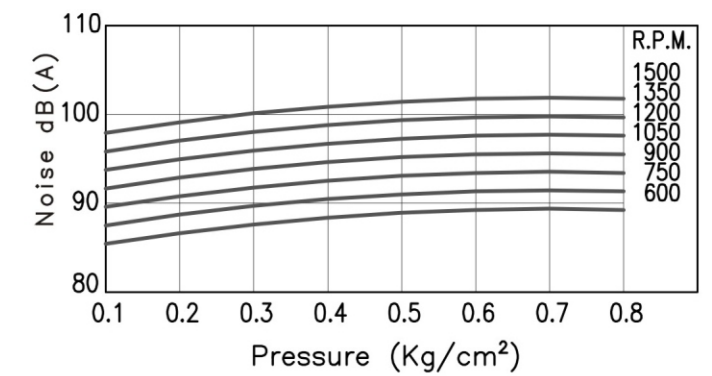
G80



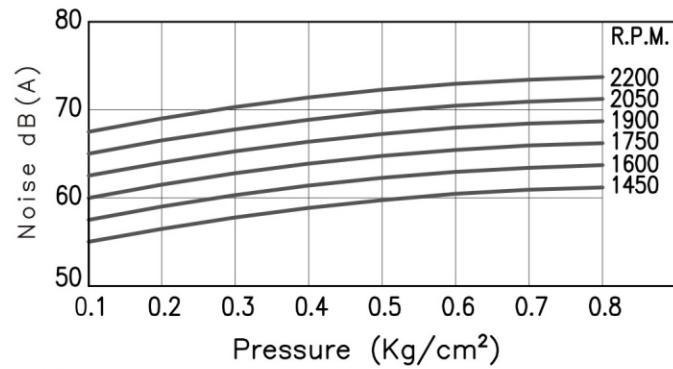
G200



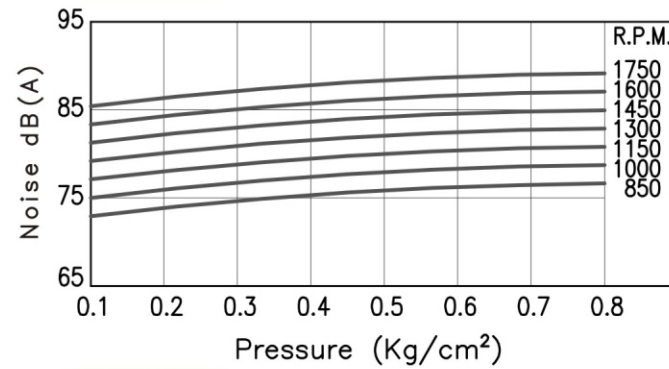
G300



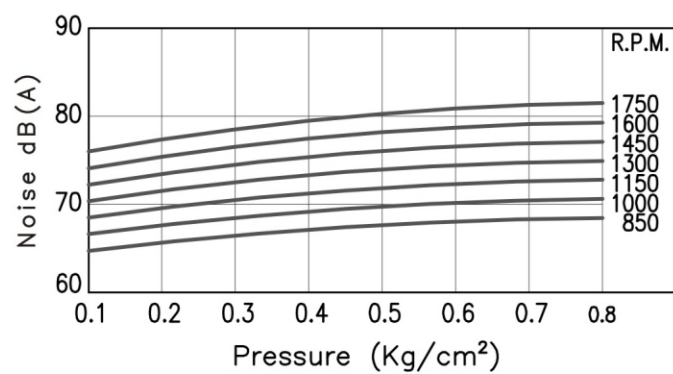
GL40



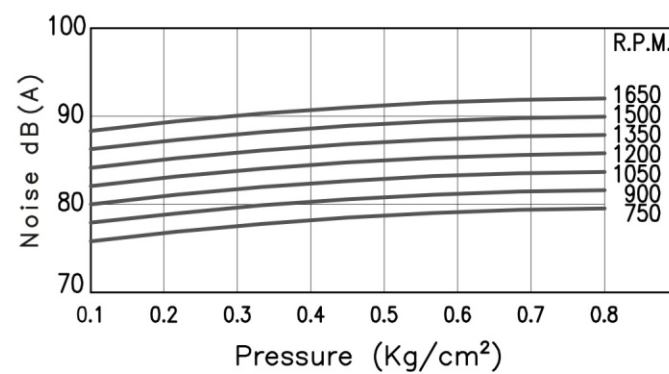
G100



G50

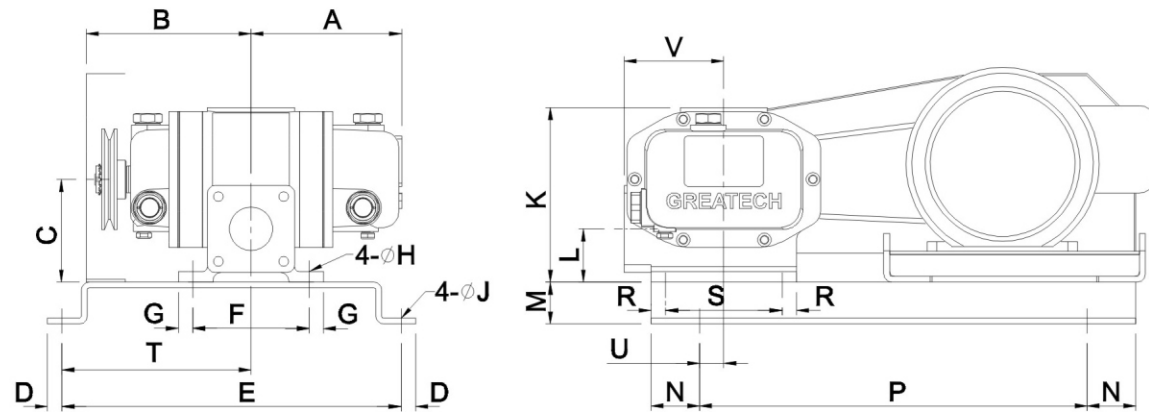


G125



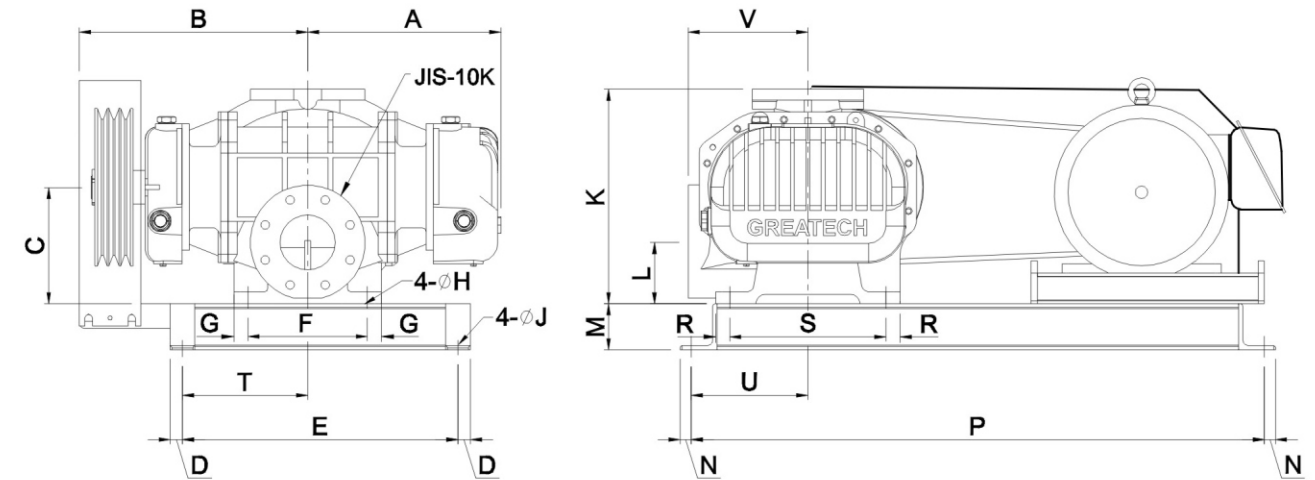
Outline Dimension

G40-GL40



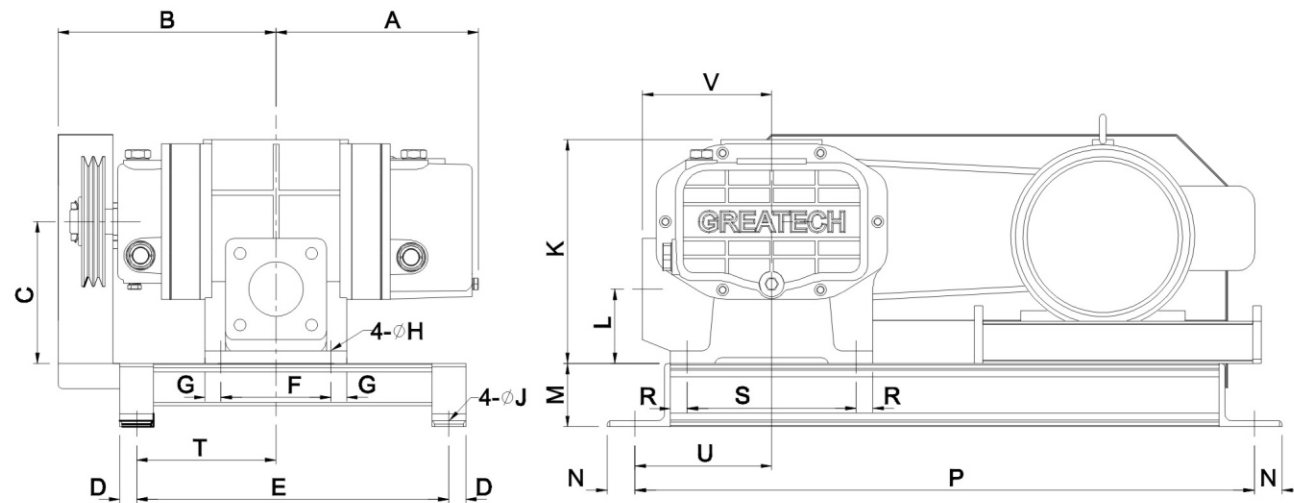
Model	A	B	C	D	E	F	G	H	J	K	L	M	N	P	R	S	T	U	V
G40	160	170	108	15	350	120	15	10	12	180	55	43	50	400	15	120	200	25	100
GL40	175	185	108	15	350	150	15	10	12	180	55	43	50	400	15	120	200	25	100

G80~G150



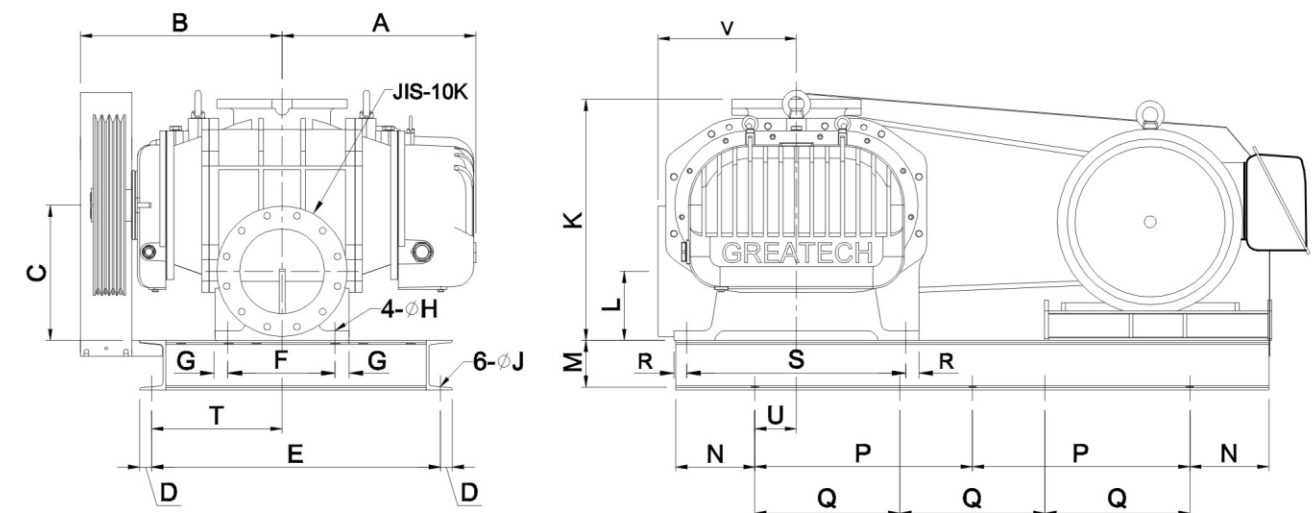
Model	A	B	C	D	E	F	G	H	J	K	L	M	N	P	R	S	T	U	V
G80	315	375	190	20	450	190	25	19	15	350	100	75	18	934	25	250	205	190	195
G100	367	422	210	20	450	290	25	19	15	370	115	75	18	934	25	250	255	190	195
G125	427	472	255	25	605	320	25	19	19	465	137	100	20	1190	25	350	280	240	245
G150	482	525	285	25	605	425	25	19	19	495	150	100	20	1190	25	350	333	245	245

G50~G65



Model	A	B	C	D	E	F	G	H	J	K	L	M	N	P	R	S	T	U	V
G50	230	270	155	20	370	125	15	15	15	265	80	75	18	734	15	200	165	57	145
G65	275	312	160	20	370	210	15	15	15	265	85	75	18	734	15	200	207	57	145

G200~G300



Model	A	B	C	D	E	F	G	H	J	K	L	M	N	P	R	S	T	U	V
G200	490	510	467	30	730	270	35	23	19	610	175	125	200	550	35	550	330	105	330
G250	580	605	505	30	730	460	35	23	19	650	210	125	200	550	35	550	425	105	350
G300	870	930	680	40	1100	750	60	27	24	810	260	200	100	Q600	45	550	605	215	430

12.562

Accessories

SUCTION SILENCER

UNITS : mm

MODEL	A	B	C	G
S50	568	65	165	G50
S65	568	65	165	G65
S80	800	80	216	G80
S100	820	100	267	G100
S125	1300	125	350	G125
S150	1300	150	350	G150
S200	2030	200	525	G200
S250	2030	250	600	G250
S300	2240	300	700	G300
S350	2570	350	800	G350

DISCHARGE SILENCER

UNITS : mm

MODEL	A	B	C	G
D50	660	50	165	G50
D65	660	65	165	G65
D80	760	80	216	G80
D100	760	100	267	G100
D125	1190	125	350	G125
D150	1190	150	350	G150
D200	1735	200	525	G200
D250	1735	250	600	G250
D300	1735	300	700	G300
D350	2230	350	800	G350

FILTER TANK

UNITS : mm

MODEL	A	B	C	E	H
FT50	395	50	180	210	530
FT65	395	65	180	210	530
FT80	480	80	210	270	670
FT100	480	100	210	270	670
FT125	760	125	270	330	770
FT150	760	150	270	330	770
FT200	920	200	370	492	1140
FT250	1092	360	350	492	1340
FT300	1200	300	420	612	1540

TUBE CONNECTOR

UNITS : mm

MODEL	A	C	L	適用機型
TC40	65	40	20	G40
TC50	95	50	20	G50
TC65	95	65	20	G65
TC80	95	80	20	G80
TC100	95	100	20	G100
TC125	155	125	20	G125
TC150	155	150	20	G150
TC200	155	200	20	G200
TC250	155	250	20	G250

"T" JOINT

UNITS : mm

MODEL	A	B	L	G
T50	40	50	150	G50
T65	40	65	150	G65
T80	40	80	165	G80
T100	40	100	165	G100
T125	50	125	210	G125
T150	50	150	210	G150
T200	80	200	260	G200
T250	80	250	290	G250

"T" JOINT

UNITS : mm

MODEL	A	B	L	G
T300	125	300	350	G300
T350	150	350	400	G350

RELIEF VALVE

UNITS : mm

MODEL	A	B	C	G
R15	100	1/2"	15	G25-G40
R40	190	1.5"	23	G50-G100
R50	198	2"	25	G125-G150
R80	306	3"	30	G200-G250

RELIEF VALVE

UNITS : mm

MODEL	A	B	C	G
R125	500	5"	125	G300
R150	800	6"	150	G350

FLEXIBLE JOINT

UNITS : mm

MODEL	A	B	L	G
FS50	50	155	150	G50
FS65	65	175	150	G65
FS80	80	185	150	G80
FS100	100	210	150	G100
FS125	125	250	150	G125
FS150	150	280	150	G150
FS200	200	330	200	G200
FS250	250	400	200	G250
FS300	300	445	200	G300
FS350	350	490	230	G350

FLEXIBLE JOINT

UNITS : mm

MODEL	A	B	L	G
F50	50	155	110	G50
F65	65	175	110	G65
F80	80	185	130	G80
F100	100	210	135	G100
F125	125	250	170	G125
F150	150	280	180	G150
F200	200	330	210	G200
F250	250	400	240	G250
F300	300	445	275	G300
F350	350	490	275	G350

CHECK VALVE

UNITS : mm

MODEL	D	E	L	G
C50	50	25	17	G50
C65	65	36	19	G65
C80	80	46	20	G80
C100	100	66	20	G100
C125	125	88	23	G125
C150	150	108	24	G150
C200	200	138	28	G200
C250	250	185	28	G250

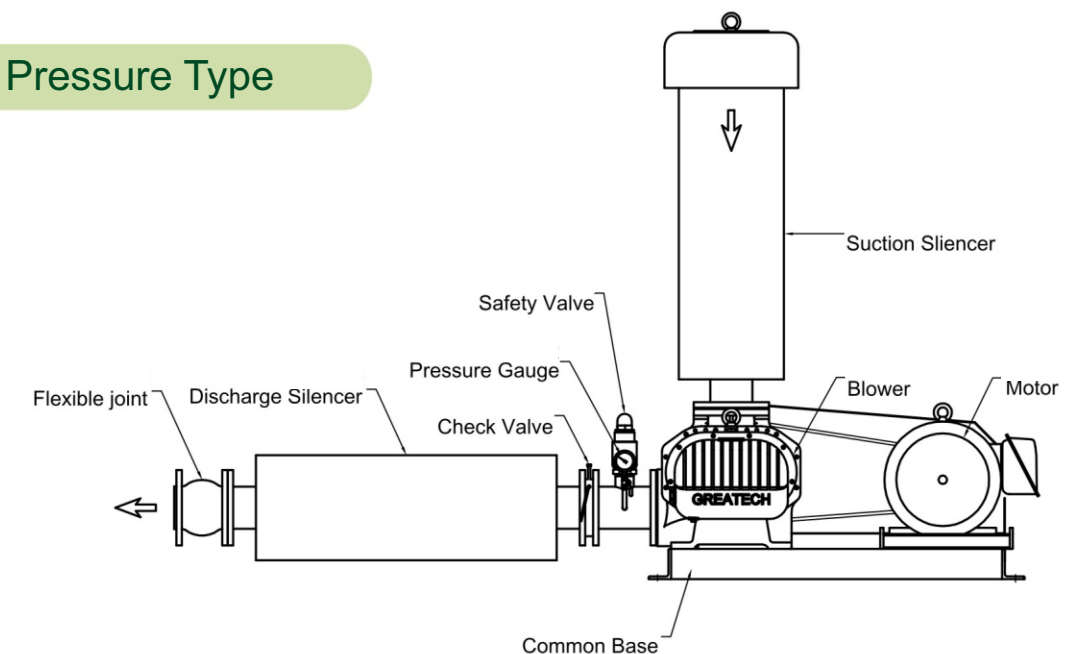
CHECK VALVE

UNITS : mm

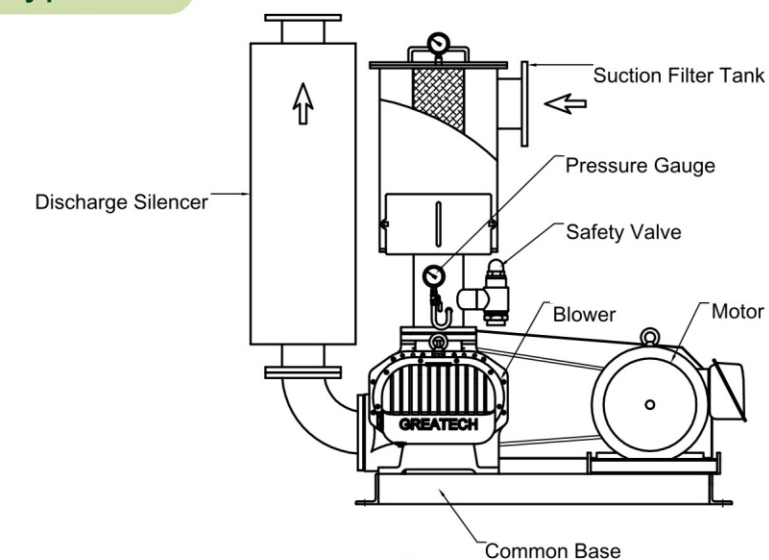
MODEL	A	L	G
C300	377	181	G300
C350	420	184	G350

Installations

Pressure Type



Vacuum Type



Construction & Material List

GREAT DESIGN

TECHNICAL INNOVATION

ENERGY CONSERVATION & HIGH EFFICIENCY - GREATECH ROOTS BLOWER

SdB Model

Performance

Bore Size: 40mm~200mm(1.5"~8")

Capacity: 0.6~34 m³/min(36~2040 m³/hr)

Pressure: 0~8000 mmAq(0~0.8 kgf/cm²)

Advantage

Tri-Lobe Roots Blower

Air cooled and circulated for whole blower

Operate quietly, Extreme low vibration

Saving electricity and gear oil

Vertical design, Space saving

Strong construction, Easy maintenance

Clean air, Oil free conveying

Coupling driven, Without belt

Application

Waste Water Treatment, Aquaculture,

Electroplating Industry, Powder Conveyance,

Grain Transport, Paper production

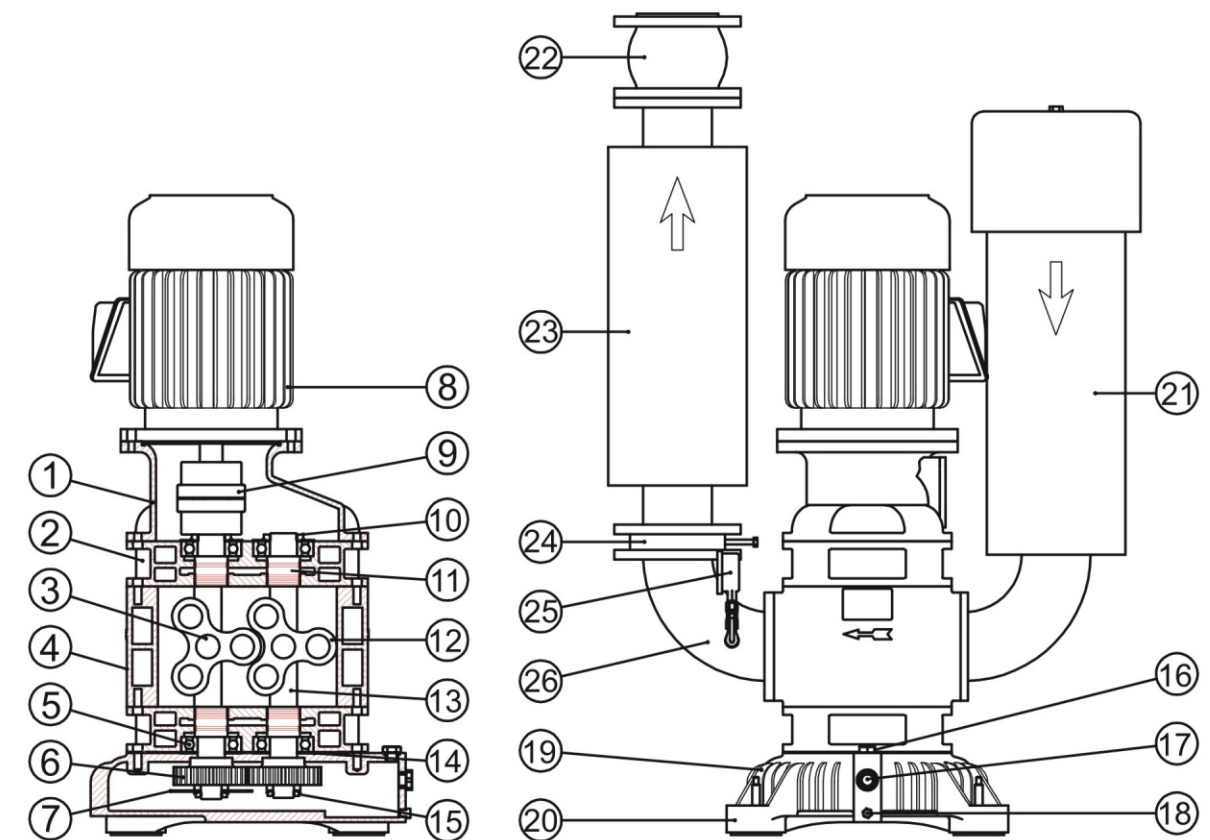
Food Industry, Semiconductor Industry,

Chemical Industry...etc.

Especially suitable to install in Hospital,

School, Hotel, Residential Area, Office Building,

where need low noise



No.	Item	Material	No.	Item	Material
1	motor case	FC250	14	bearing plate	SS440
2	bearing case	FC250	15	screw nut	SS400
3	drive shaft	SCM440	16	oil plug	S45C
4	cylinder	FC250	17	oil gauge	S45C
5	bearing	SUJ2	18	oil drainer	S45C
6	gear	SCM415	19	gear oil box	FC250
7	oil splash	SS400	20	vibration isolator	NBR
8	motor		21	suction silencer	SS400
9	coupling	FCD500	22	flexible joint	NBR
10	screw nut	SS400	23	discharge silencer	SS400
11	shaft seal	S45C	24	check valve	FC250
12	rotor	FC250	25	pressure gauge	SUS304
13	driven shaft	SCM440	26	elbow joint	SS400

Performance Table

Suction Air & Discharge Pressure

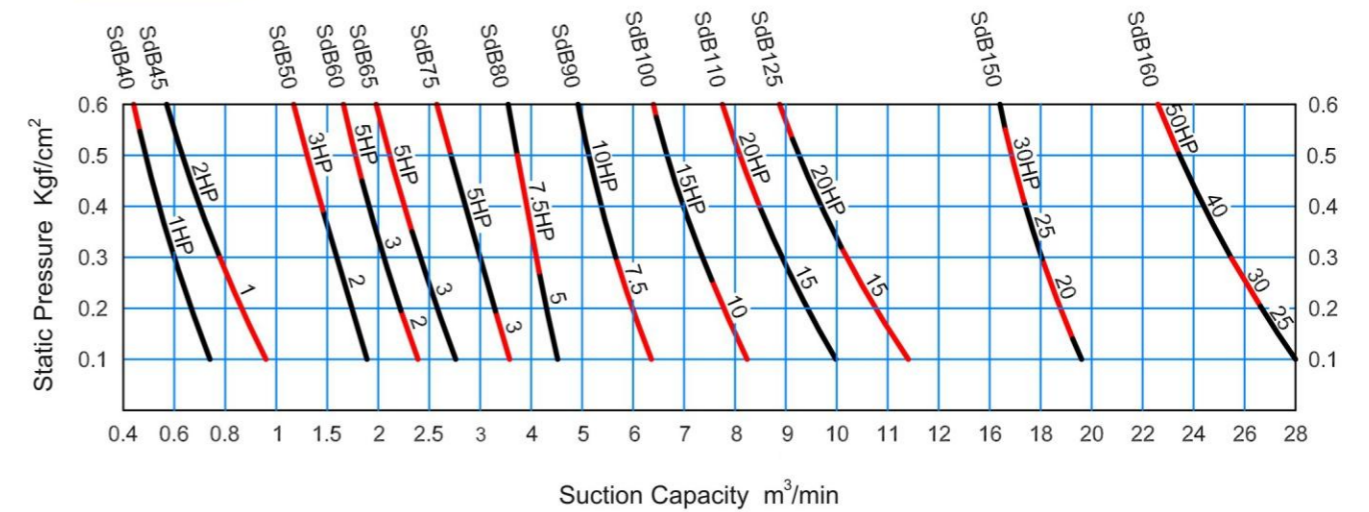
Greatch Circulating Air Cooling Roots Blower 50HZ-4P													
Model	Bore (mm)	Pressure (mmAq)				Capacity (m ³ /min)				Power (kW)			
		1000 mmAq		2000 mmAq		3000 mmAq		4000 mmAq		5000 mmAq		6000 mmAq	
		m ³ /min	kW	m ³ /min	kW	m ³ /min	kW	m ³ /min	kW	m ³ /min	kW	m ³ /min	kW
SdB40	40	0.74	0.42	0.66	0.47	0.60	0.53	0.54	0.61	0.49	0.69	0.44	0.80
SdB45	40	0.96	0.53	0.86	0.66	0.78	0.78	0.70	0.89	0.63	0.99	0.57	1.07
SdB50	50	1.89	0.99	1.77	1.23	1.66	1.38	1.45	1.57	1.32	1.78	1.15	2.00
SdB60	65	2.39	1.33	2.23	1.54	2.09	1.78	1.91	2.07	1.82	2.47	1.75	2.79
SdB65	65	2.76	1.49	2.59	1.72	2.42	2.12	2.27	2.50	2.16	2.84	1.92	3.10
SdB75	80	3.38	1.79	3.18	2.31	3.00	2.67	2.80	3.12	2.62	3.71	2.53	4.25
SdB80	80	4.52	2.72	4.31	3.23	4.15	3.96	3.94	4.73	3.73	5.28	3.55	5.92
SdB90	100	6.43	3.89	6.04	4.62	5.73	5.46	5.43	6.62	5.17	7.61	4.92	8.73
SdB100	100	8.24	5.54	7.78	6.19	7.37	7.25	7.00	8.18	6.68	9.27	6.40	10.5
SdB110	125	9.98	7.05	9.43	8.25	8.93	10.1	8.48	11.3	8.09	12.4	7.75	13.8
SdB125	125	11.4	7.80	10.8	8.83	10.2	10.7	9.69	12.8	9.24	14.6	8.85	16.2
SdB150	150	19.6	10.5	18.8	12.3	18.1	15.2	17.4	17.5	16.9	20.6	16.4	23.7
SdB160	150	28.0	14.8	26.7	18.1	25.5	22.1	24.4	25.8	23.4	29.2	22.6	33.1

0.75kW=1HP, 1.5kW=2HP, 2.2kW=3HP, 3.7kW=5HP, 5.5kW=7.5HP, 7.5kW=10HP
11kW=15HP, 15kW=20HP, 18.5kW=25HP, 22kW=30HP, 30kW=40HP, 37kW=50HP

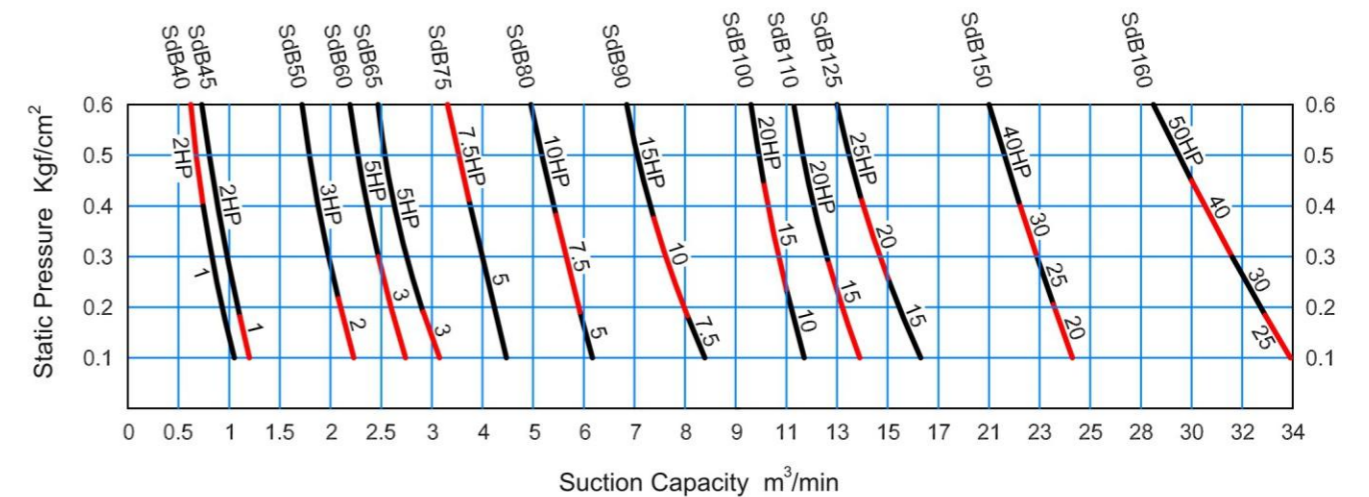
Greatch Circulating Air Cooling Roots Blower 60HZ-4P													
Model	Bore (mm)	Pressure (mmAq)				Capacity (m ³ /min)				Power (kW)			
		1000 mmAq		2000 mmAq		3000 mmAq		4000 mmAq		5000 mmAq		6000 mmAq	
		m ³ /min	kW	m ³ /min	kW	m ³ /min	kW	m ³ /min	kW	m ³ /min	kW	m ³ /min	kW
SdB40	40	1.05	0.49	0.94	0.56	0.83	0.65	0.75	0.75	0.67	0.87	0.62	1.01
SdB45	40	1.20	0.65	1.09	0.83	0.98	0.98	0.89	1.12	0.80	1.19	0.73	1.28
SdB50	50	2.23	1.12	2.10	1.39	1.97	1.55	1.88	1.79	1.81	1.94	1.72	2.14
SdB60	65	2.74	1.71	2.52	1.95	2.42	2.26	2.33	2.57	2.27	2.94	2.22	3.35
SdB65	65	3.15	1.86	2.92	2.12	2.76	2.46	2.64	2.83	2.55	3.20	2.47	3.60
SdB75	80	4.47	2.47	4.23	2.85	3.99	3.28	3.76	3.67	3.53	4.26	3.31	4.82
SdB80	80	6.17	3.36	5.90	3.97	5.65	4.83	5.42	5.64	5.18	6.30	4.96	6.89
SdB90	100	8.39	4.62	7.98	5.82	7.62	6.72	7.31	7.93	7.06	9.01	6.85	10.7
SdB100	100	11.7	6.33	11.2	7.01	10.7	8.29	10.3	9.38	9.90	11.1	9.60	12.4
SdB110	125	13.9	8.08	13.2	9.25	12.6	11.2	12.1	12.6	11.7	14.1	11.3	15.7
SdB125	125	16.3	9.12	15.5	10.7	14.7	13.2	14.1	14.8	13.5	16.2	13.0	17.8
SdB150	150	24.3	11.9	23.5	14.7	22.9	18.0	22.2	21.5	21.6	24.3	21.0	27.6
SdB160	150	33.9	15.7	32.7	18.9	31.6	23.4	30.6	27.8	29.5	32.0	28.5	36.2

Performance Curve

50HZ-4P

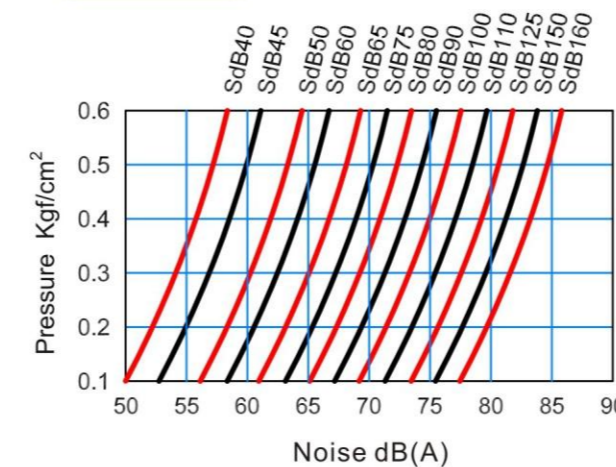


60HZ-4P

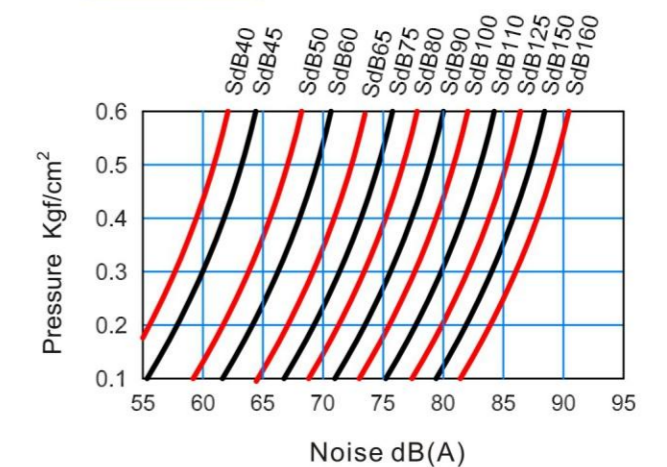


Noise Curve

50HZ-4P



60HZ-4P



Performance Table

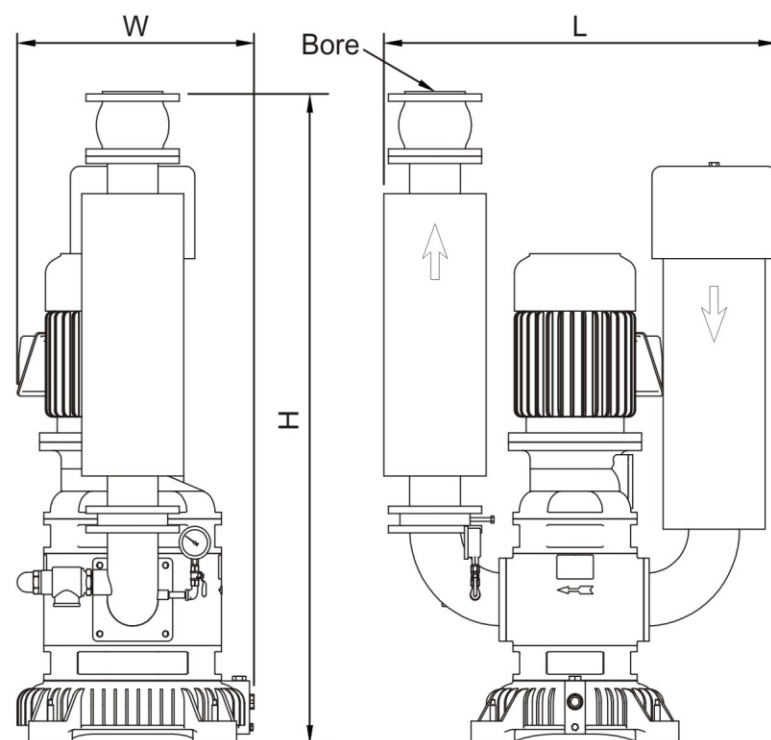


Other Product



Unit=mm

Model	L	W	H	Bore
SdB40	590	345	707	1.5"
SdB45	590	345	737	1.5"
SdB50	670	420	915	2"
SdB60	687	428	960	2" / 2.5"
SdB65	727	450	935	2.5"
SdB75	824	465	1250	2.5" / 3"
SdB80	824	465	1295	3"
SdB90	880	533	1408	4"
SdB100	952	580	1438	4"
SdB110	1060	580	1987	5"
SdB125	1070	580	2015	5"
SdB150	1266	703	2070	6"
SdB160	1266	703	2115	6" / 8"



Unit Conversion

Pressure

Kgf/cm ²	kPa	mbar	psi	mmAq mmH ₂ O	Torr mmHg
1	98.0665	980.665	14.2231	10,000	735.559
0.010197	1	10	0.145	101.9716	7.50062
0.001019	0.1	1	0.0145	10.19716	0.750062
0.07031	6.895	68.95	1	703.08	51.7157
0.0001	0.009806	0.098	0.001422	1	0.073556
0.00136	0.13332	1.33321	0.019336	13.5951	1

Capacity

CMM (m ³ /min)	CFM (ft ³ /min)	LPM (l/min)
1	35.32	1000
0.0283	1	28.3125
0.001	0.0353	1

Power

kW	HP	PS
1	1.3404	1.3596
0.746	1	1.0143
0.7355	0.9859	1